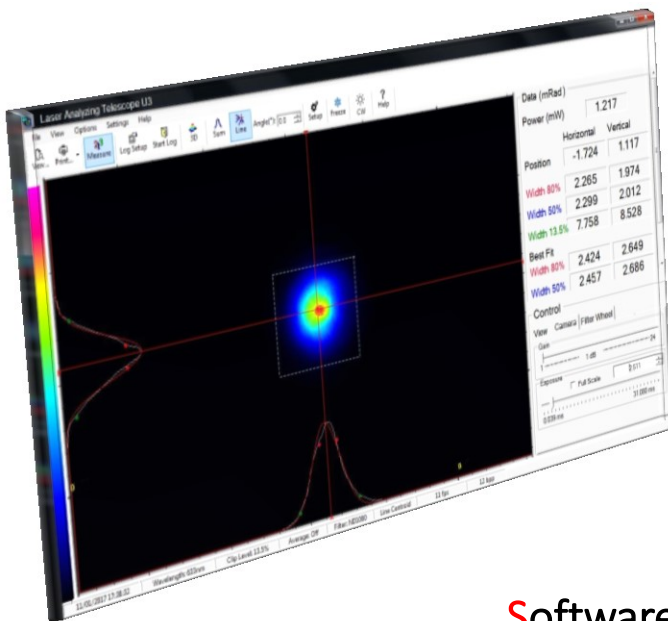


BeamOn 2 MegaPixel

- Extremely cost effective
- 3 um pixel size at full resolution
- 5.76 x 3.24 Image Sensor Size
- Best solution for miniature beams
- Down to 60 micron beam size
- Full range of attachments available
- Built-in filter wheel (optional)
- Profiles analysis according to ISO standards



Software Features

- Beam width techniques - Second moment, Gauss fit, Knife edge, etc.
- Statistics
- Pointing Stability
- Beam Divergence Calculation
- Save/retrieve functions
- Logging
- Power in the bucket
- Customer set pass/fail criteria
- Zooming and cropping
- User friendly GUI

New! Low Cost Version

DUMA OPTRONICS LTD.

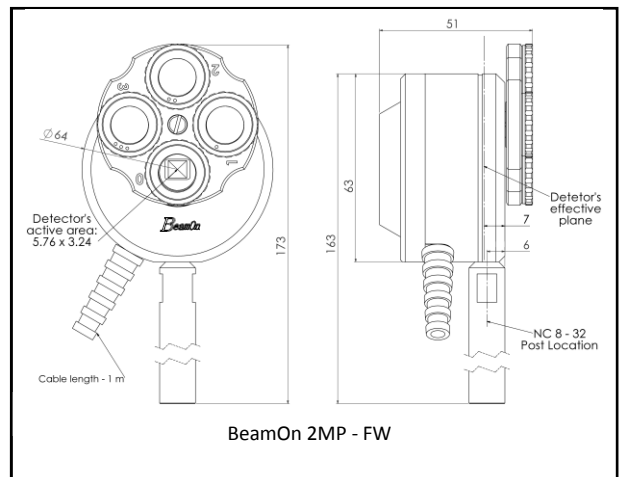
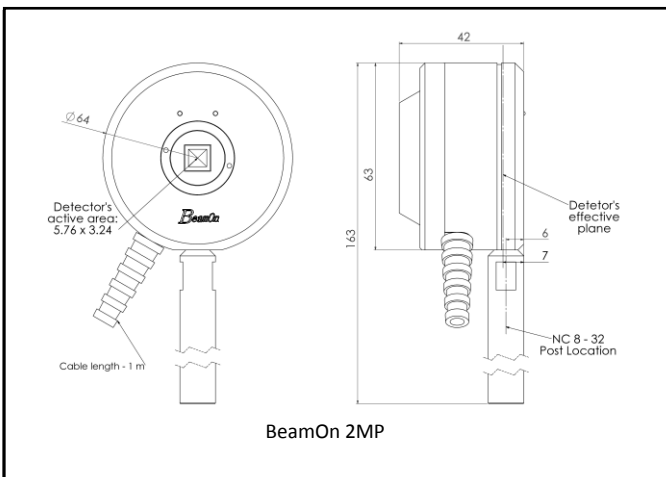


海纳光学有限公司
HIGHLIGHT OPTICS CO., LTD.

Tel: 0755-84870203 www.highlightoptics.com
E-mail: sales@highlightoptics.com

BeamOn 2 MegaPixel

Model	BeamOn 2MP – FW (with Filter Wheel)	BeamOn 2MP
Sensor	CMOS	
Pixel Size	3 μ m	
Image area	5.76 mm x 3.24 mm	
Max. Resolution	1920(H) X 1080(V) 2 MegaPixel	
Min. measurable beam size	60 micron	
Wavelength Range	350 – 1100 nm	
Sensitivity	~ 1.6 nWatt/mm ² @ 405 nm ~ 1.2 nWatt/mm ² @ 633 nm ~ 0.5 mWatt/mm ² @ 1310 nm	
Saturation	~ 4.5 μ Watt/mm ² @ 405 nm ~ 5 μ Watt/mm ² @ 633 nm	
Shutter Type	Electronic rolling shutter	
Adjustable parameters	Exposure, Image Size	
Frame Rate	Up to 50 Hz (depending on image size)	
Damage Threshold	50 watt/cm ² with all filters	
Supplied Filters*	NG 4/NG 9/NG 10	NG 4/ NG 9 (choose 1)
Connecting Port type	USB2.0 High Speed	
Power supply	5V DC via USB	
Current Consumption	240mA	
Working Temperature	-10 ° C ~ 70° C	
Storage Temperature	-20 ° C ~ 85° C	
Available Accessories	Beam reducer ~X2, allowing larger beams measurements High power beam samplers, up to 1 kWatt C-Mount accessories for lens mounting Filter Wheel 50/100 mm Hood	
Windows Operating System	XP/7/8/10	
Free Drive Protocol	DLL	



DUMA OPTRONICS LTD.



海纳光学有限公司
HIGHLIGHT OPTICS CO., LTD.

Tel: 0755-84870203 www.highlightoptics.com
E-mail: sales@highlightoptics.com