

OpenStand®

Motorized Optical Stand for Electrophysiology

The OpenStand® is a fully configurable, motorized optical stand that when combined with your optics and accessories creates a complete optical microscope for your optogenetics, physiology, electrophysiology, neuroscience and general imaging applications.

The unit has a compact modular design with 126 mm of overall Z travel and a generic light input for most light guide compatible illuminators.

As one core component in Prior's complete line of physiology products the OpenStand® features:

Modular Open Design:

- Uses existing optics
- Basic Unit: reflected light only, flange mount
- Available transmitted light module
- Accepts light guide input, for use with LED, metal halide, halogen and other light guide compatible illumination sources
- Compatible with Prior's complete line of physiology products

Compact design leaves plenty of room for:

- Manipulators
- Prior platform stages
- In vivo experimentation devices

Motorized focus control with 40 mm of travel (126 mm overall):

- From thin prepared samples to whole animal in-vivo imaging
- Digipots for ultra fine Z and optional XY positioning
- Zero current mode eliminates recording noise
- Fast up/down mode for quick focus adjustment

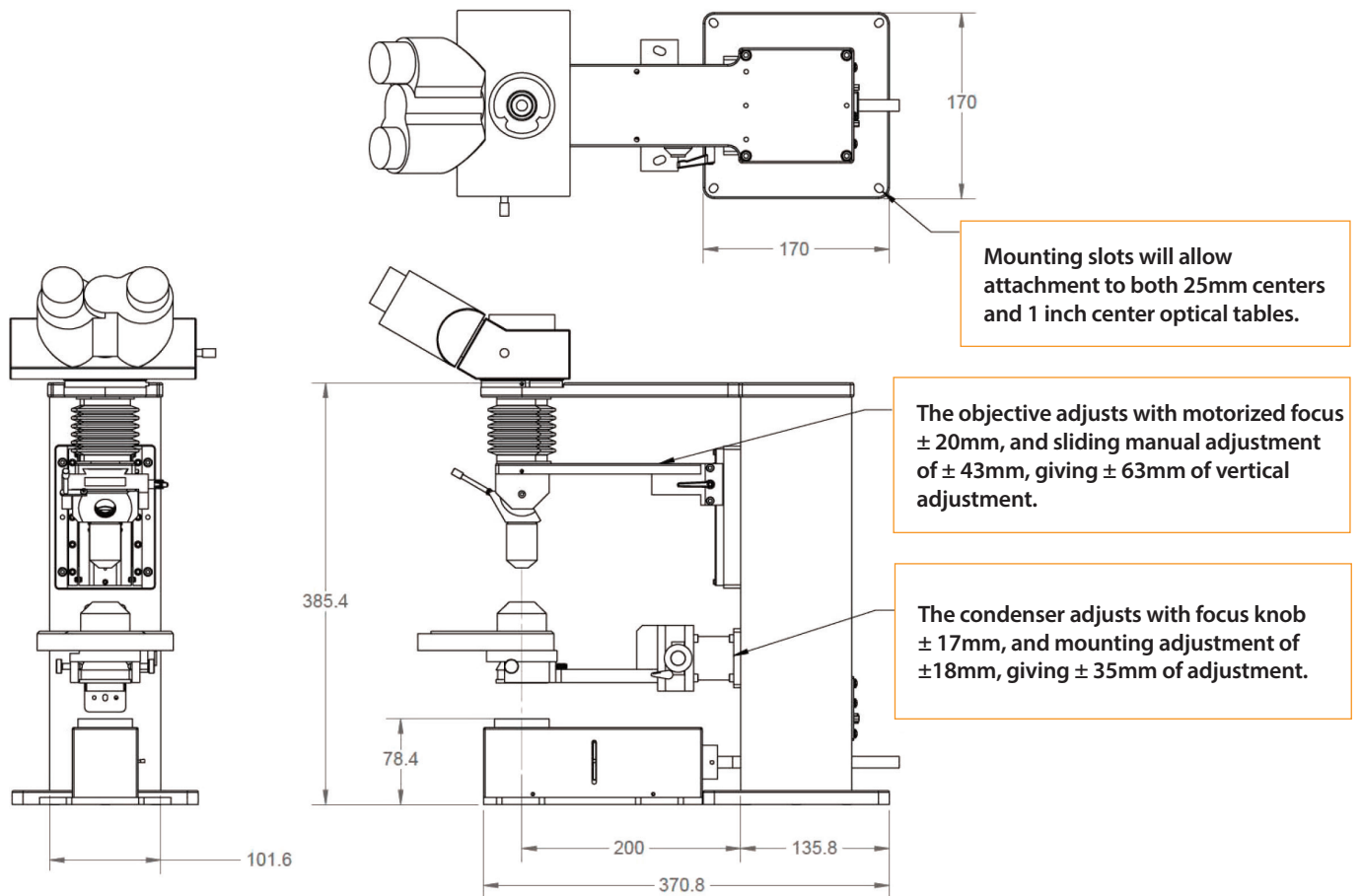
The OpenStand® is designed for today's research with the flexibility to adapt to tomorrow's technology.



GENERAL SPECIFICATIONS:

- Large 200mm throat depth
- Large focus travel simplifies use of dipping objectives
- Modular transmitted light is easily removable - maximizing room below objectives
- 126mm of focus adjustment
- 35mm of condenser adjustment
- Rigid stable design
- Easily customizable
- Large focus travel accommodates a wide variety of samples
- Variants available for different applications





ORDERING INFORMATION:

PART NUMBER	DESCRIPTION
OSM-TL-VD20	OpenStand® with motorized XY translation stage and adjustable height fixed plate for manipulators and samples.
OS-TL-ZD	Fixed OpenStand® with large oversized platform for multiple manipulators and sample
OSM-TL-3P20	OpenStand® with motorized XY translation stage and fixed rigid post mounts for manipulators and samples.
OS-TL-3P12M	Fixed OpenStand® with adjustable height rigid post mounts on motorized platform for manipulators and sample.

WORLDWIDE DISTRIBUTION



Prior Scientific Ltd
Cambridge • UK

t: +44 (0)1223 881711
e: uksales@prior.com



Prior Scientific Inc
Rockland • MA • USA

t: +1 781-878-8442
e: info@prior.com



Prior Scientific GmbH
Jena • Germany

t: +49 (0) 3641 675 650
e: jena@prior.com



Prior Scientific KK
Tokyo • Japan

t: +81-3-5652-8831
e: info-japan@prior.com



海纳光学有限公司
HIGHLIGHT OPTICS CO., LTD.

Tel: 0755-84870203 www.highlightoptics.com
E-mail: sales@highlightoptics.com



FM 61600