

Mid IR Fiber Collimators



Features

- Designed for 2.5-6 μm region
- Clean Gaussian beams
- Adjustable collimation / focus
- No epoxy in the optical path
- FC or FC/APC

Applications

- Gas detection
- Environmental sensing

The FC5-MIR Fiber Collimators operates between 2.5 to 6 micron range.

Output beam is user adjustable so you can optimize collimation for your operating wavelength and lock it down. Collimators have an FC or FC/APC receptacle as standard. Fine 80 pitch threaded barrel is used for fine focus/collimation adjustment.

Adapter rings are available to mount the collimators to common optical mounts.



海纳光学



μ LS Micro Laser Systems, Inc.

电话: 0755-84870203

邮箱: sales@highlightoptics.com

Mid IR Fiber Collimators

Specifications

Wavelength range:	2.5 - 6 μm
Aperture size:	4.4 mm
Beam size at $1/e^2$ points	~ 2 mm
Beam divergence:	< 0.5 mrad
Receptacle:	FC, FC/APC
Collimation:	Adjustable 80 tpi
Locking:	yes
Housing material:	Stainless steel
Weight:	45 g (1.6 oz.)



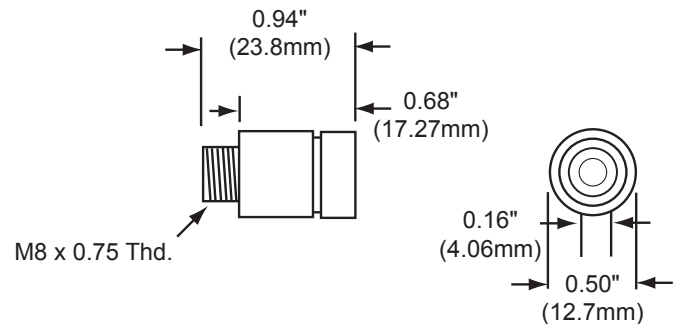
FC5 plus ring mounted in a 1 inch optical mount.

Ordering Information

Model #	Description
FC5-MIR1-FC	Fiber collimator for 2.5 - 6 μm region with FC receptacle.
FC5-MIR1-APC	Fiber collimator for 2.5 - 6 μm region with FC/APC receptacle.
FC5R-1.0	Ring adapter to mount FC5 onto any 1 inch optical mount.

This Fiber Collimator is manufactured in California, USA.

Dimensions



Specifications subject to change without notice.



电话: 0755-84870203
 邮箱: sales@highlightoptics.com